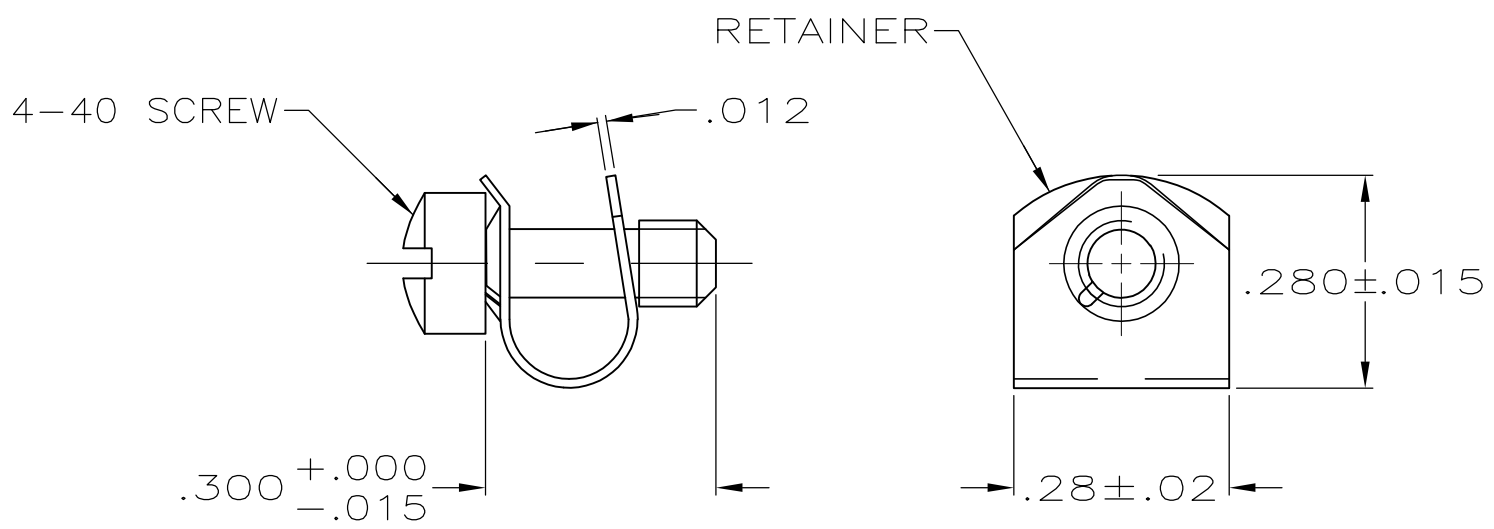


THIS DRAWING IS UNPUBLISHED. RELEASED FOR PUBLICATION
 © COPYRIGHT - By - ALL RIGHTS RESERVED.

LOC	DIST	REVISIONS			
P	LTR	DESCRIPTION	DATE	DWN	APVD
GP	00	A1	REVISED PER ECO-11-004835	11MAR11	RK HMR



- ① SCREW: CARBON STEEL.
RETAINER: STAINLESS STEEL.
- ② SCREW: ZINC PLATED .000200-.000400 THICK, CLEAR CHROMATE COATING.
- ③ 2 EACH PACKAGED UNASSEMBLED AS A UNIT KIT.
- ④ INDIVIDUALLY BULK PACKAGED UNASSEMBLED AND SHIPPED AS A UNIT PACKAGE.

④	5746881-2
③	5746881-1
PACKAGING	PART NUMBER

**COPYRIGHT 2005
 TE CONNECTIVITY CORP
 ALL RIGHTS RESERVED**

THIS DRAWING IS A CONTROLLED DOCUMENT.		DWN	J.GERACE	14OCT05	TE Connectivity NAME SCREW RETAINER KIT, .135 FLANGE, LOW PROFILE, AMPLIMITE HDF			RESTRICTED TO			
DIMENSIONS: INCHES		CHK	C.ROHDE	14OCT05				SIZE	CAGE CODE	DRAWING NO	A3 00779 C-5746881
TOLERANCES UNLESS OTHERWISE SPECIFIED:		APVD	M.WALMSLEY	14OCT05				APPLICATION SPEC		SCALE	
0 PLC ± - 1 PLC ± - 2 PLC ± - 3 PLC ± .005 4 PLC ± - ANGLES ± -		PRODUCT SPEC	-					-		4:1	1 OF 1
MATERIAL	FINISH	WEIGHT	-		CUSTOMER DRAWING		REV	A1			
①	②										